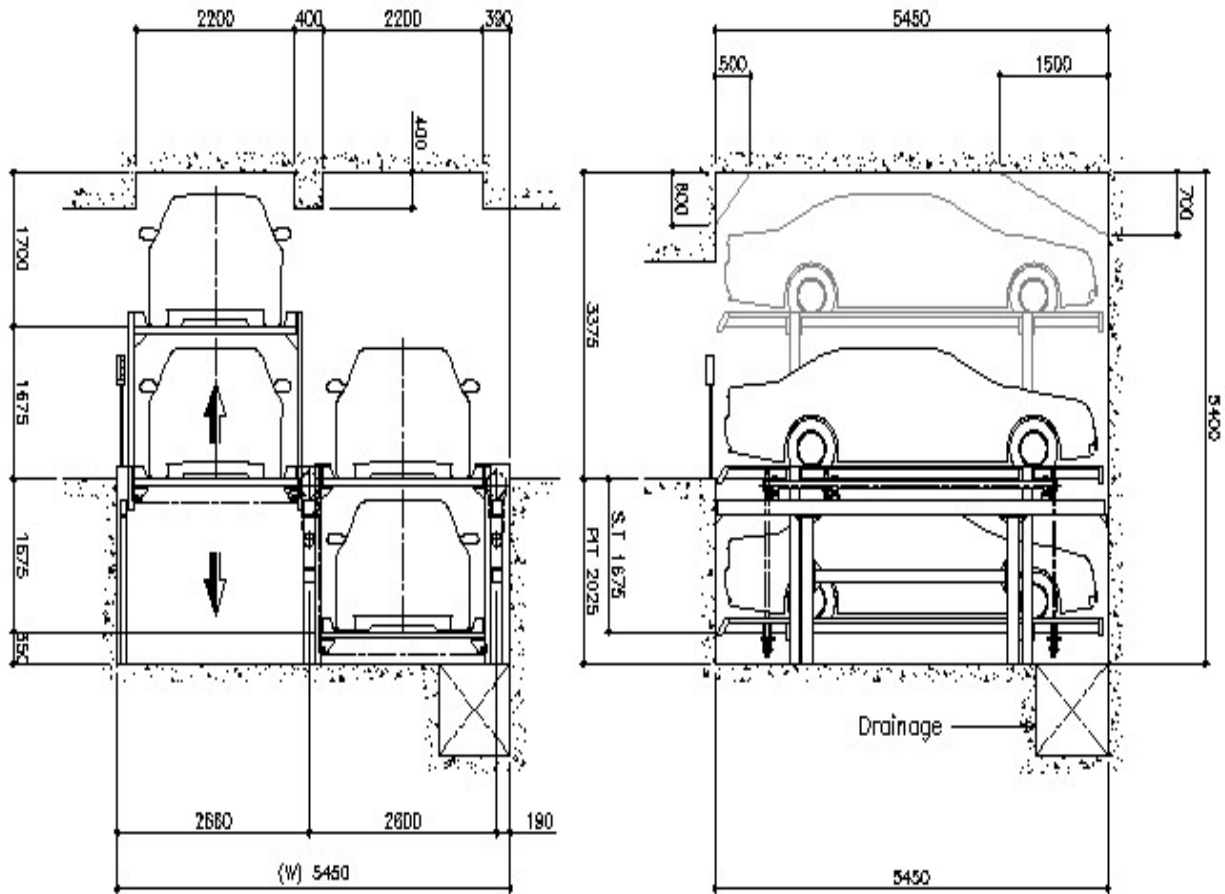
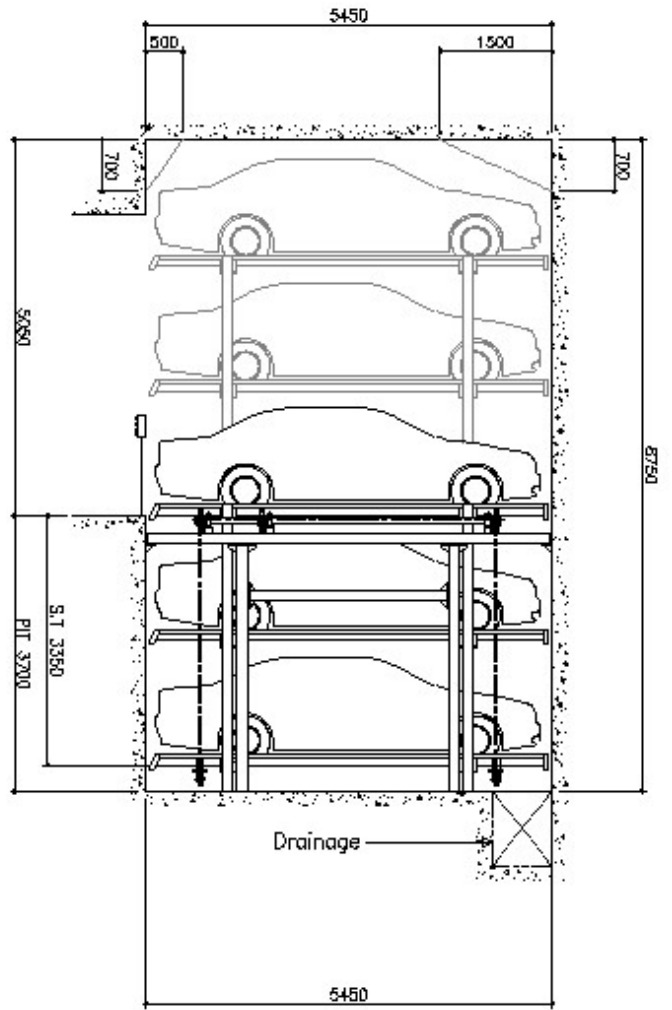
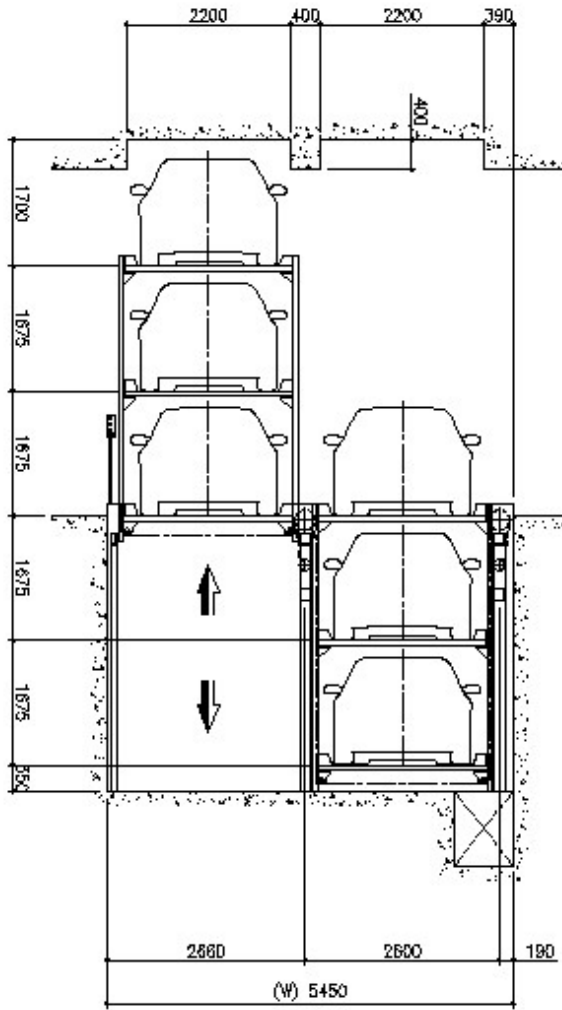


# PIT TYPE PARKING - SINGLE LIFT TYPE

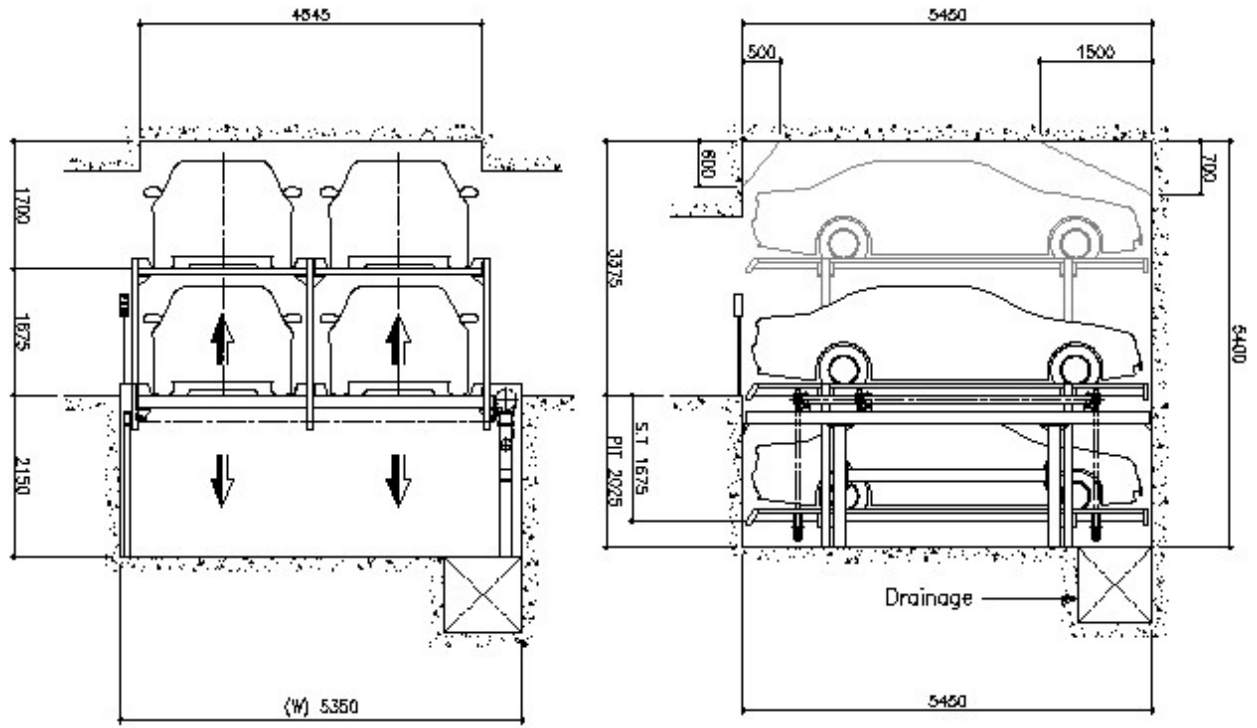


UNIT : (mm)



UNIT : (mm)

# DOUBLE LIFT TYPE



UNIT : (mm)